

Feature

1. Flux builded-up prevention is taken through inserting molding around the resistor with resin.
2. A large variety of products lined up to support various applications.
3. With dual shaft adjustment.
4. Long Life Type Available.

F094 Series Rotary Potentiometer

Electrical characteristics

- Total Resistance.....1K Ω ~ 1M Ω
- Total Resistance Tolerance.....500 Ω < R < 1M Ω : $\pm 20\%$
R \leq 500 Ω or R \geq 1M Ω : $\pm 30\%$
- Resistance Taper.....A, B, C
- Max. Operating Voltage.....AC50V, DC10V
- Rated Power.....Linear Taper B: 0.05W
Other Tapers: 0.025W
- Rotational Noise.....Less than 100mV
- Insulation Resistance.....More than 100M Ω at DC 250V
- Withstrand Voltage.....1 minute at AC 300V
- Residual Resistance.....Term. 1~2: Less than 20 Ω
Term. 2~3: Less than 20 Ω

Mechanical characteristics

- Total Rotational Angle.....300° \pm 10°
- Rotational Torque(outer shaft).....5 ~ 90 gf.cm
- Rotational Torque(inner shaft).....3gf.cm ~ 60gf.cm
- Click Torque.....50gf.cm ~ 200gf.cm
- Rotational Stopper Strength.....3.0Kgf.cm Min.
- Push-Pull Strength.....6.0Kgf Min

Durability

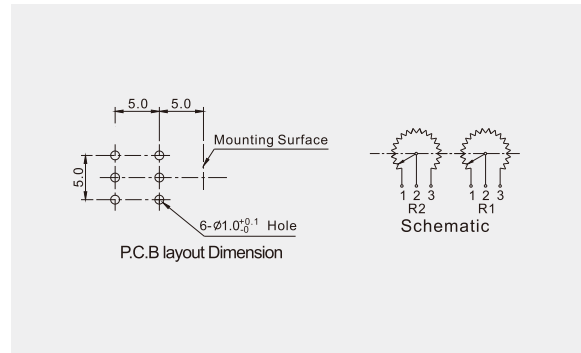
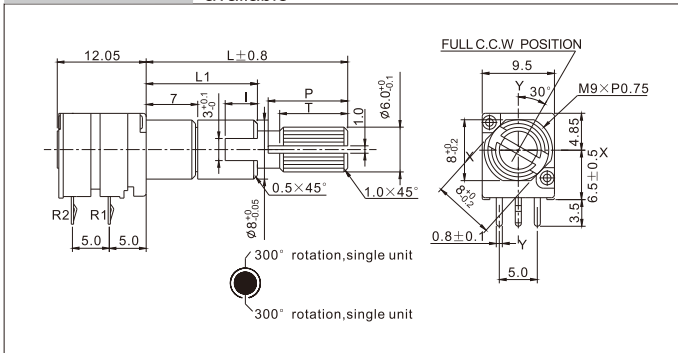
- Rotational Life.....Standard life: 15,000 Cycles Min.
Long life: 100,000 Cycles Min.
- Operating Temperature Range.....-10°C ~ +70°C

Switch characteristics

- Rated Power.....3.0A at DC 16V
- Contact Resistance.....Less than 100m Ω
- Switch Angle.....50° Max
- Switch Torque.....500gf.cm Max
- Switch Life.....15,000 Cycles Min.

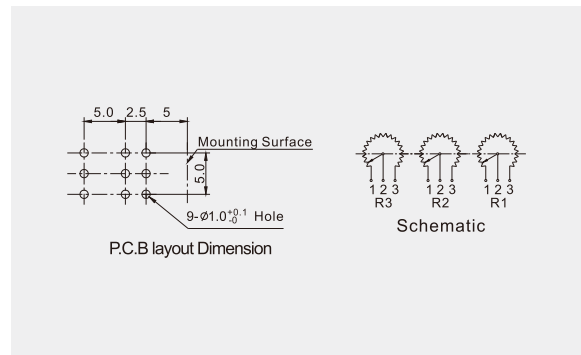
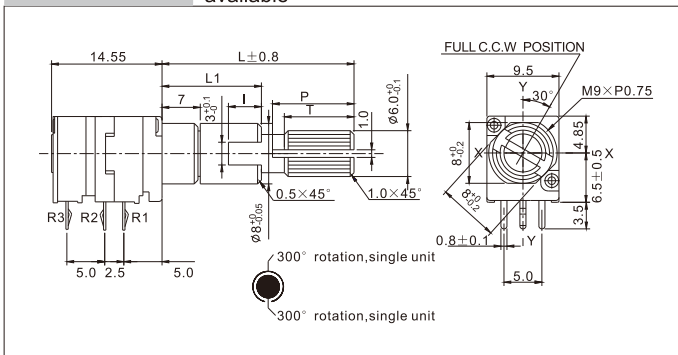
F094-27N

Side Adjust, dual shaft, 2 gangs, center detent available



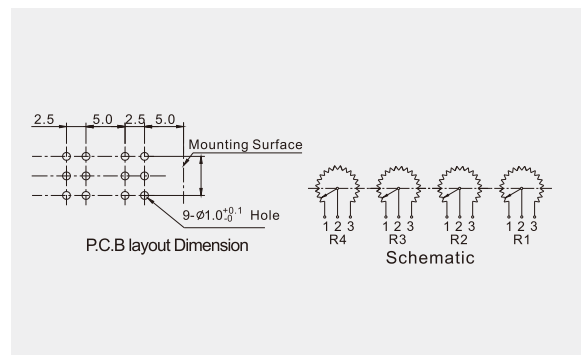
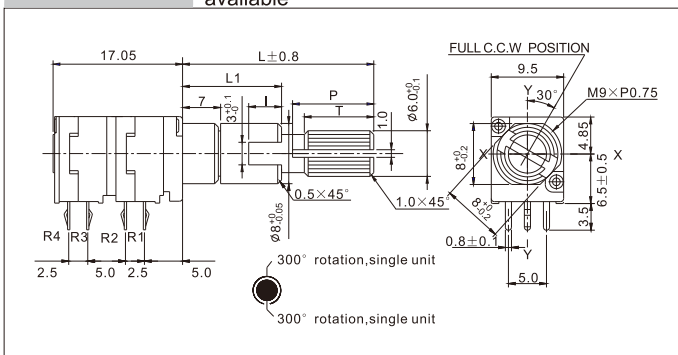
F094-37N

Side Adjust, dual shaft, 3 gangs, center detent available



F094-47N

Side Adjust, dual shaft, 4 gangs, center detent available



F094-27S

Side Adjust, dual shaft, 2 gangs, with rotary switch, center detent available

