

FJ05k Series Mini Joystick Potentiometer



Feature



1. Miniature Dimensions of 19.2mm*13.8mm
2. Switch function available
3. Perfect for portable gaming devices
4. Flexible board design

Application:

- Portable Game console
- Mini Gamepad

Recommended model:

- ◆ FJ05k-S1B5KB0

Electrical Characteristics

| | |
|------------------------|--|
| Total Resistance | 5K Ω |
| Resistance Tolerance | $\pm 30\%$ |
| Resistance Taper | B taper |
| Rated Power | TaperB:0.0125W |
| Withstand Voltage | 1 minute at AC 250V |
| Insulation Resistance | More than 100M Ω DC 100V for 1 minute |
| Max. Operating Voltage | DC 5.0V 5mW |
| Noise | Less than 300mV |
| Voltage Divider Error | 38%-62% |

Durability

| | |
|-----------------------------|------------------|
| Operating Life | 1,200,000 cycles |
| Operating Temperature Range | -30°C ~ +80°C |

Mechanical Characteristics

| | |
|---------------------------|--|
| Figure of Lever Operation | Circular Operating |
| Stopper Strength | 0.2N Min 60Sec. |
| Operating Angle of Lever | 40° MAX |
| Push-Pull Strength | Push:98N Min,3sec Pull:50N Min,3sec |
| Operating Force | 0.7 \pm 0.35N |
| Accuracy of Rest Position | $\pm 6^\circ$ |

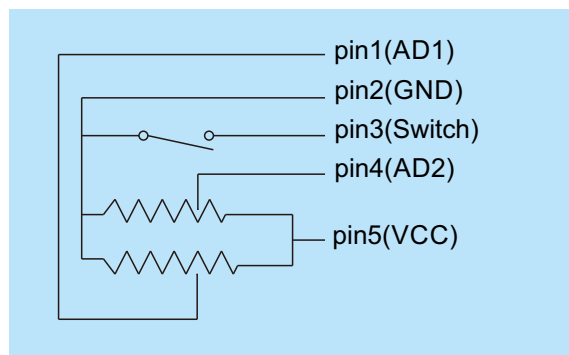
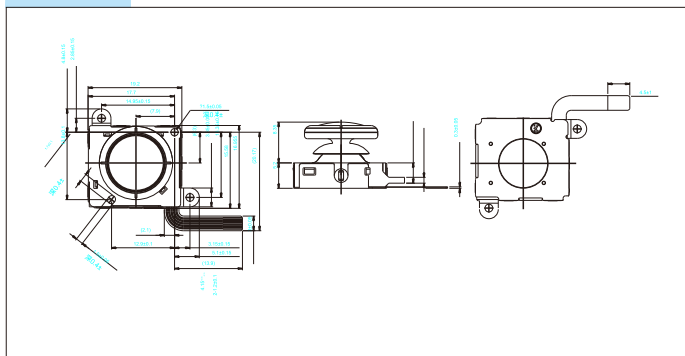
Tact Switch Specification

| | |
|-----------------|----------------|
| Ratings | 5V DC, 5mA |
| Operating Force | 10 \pm 3N |
| Travel | 0.4+0.5/-0.3mm |
| Operating Life | 800,000 cycles |

HOW TO ORDER

| | | | | | |
|---------------|--------------------------------------|---------------------------|------------------------------------|------------------------|----------------------------------|
| FJ05K- | S | 1 | B | 5K | B0 |
| Model Series | Switch Option S: With Tact Switch | Shaft Length 1: 8.35mm | Resistance Taper B: Linear (0B) | Total Resistance 5k | Electrical Angle Code B0: 40° |

FJ05k



Rotary Potentiometer

Joystick

Slide Potentiometer

Trimmer Potentiometer

Encoder

Switch

Sensor