

FJH10k Series Joystick Potentiometer



Rotary Potentiometer

Joystick

Slide Potentiometer

Trimmer Potentiometer

Encoder

Switch

Sensor



Feature

1. Outline dimension is totally compatible with traditional joystick potentiometer
2. Electric life can achieve more than 5 million cycles
3. Fully self-owned intellectual property right of Hall effect sensor IC
4. No contact noise

Application:

- Remote control
- Gamepad

Recommended model:

- ◆ FJH10K-S2 FJH10K-S3
- FJH10K-S4 FJH10K-S5

Electrical Characteristics

Supply Voltage	Min 1.7V Max 5.5V
Supply Current	VDD=1.8V B=0G, typ 1.1mA VDD=3.3V B=0G, typ 2.5mA Max 3.75mA VDD=5V B=0G, typ 4mA Max 6mA
Resistance Taper	B taper
Withstand Voltage	1 minute at AC 250V
Insulation Resistance	More than 100MΩ
Voltage Divider Error	40%-60%

Durability

Operating Life	5,000,000 cycles
Operating Temperature Range	-10°C ~ +70°C

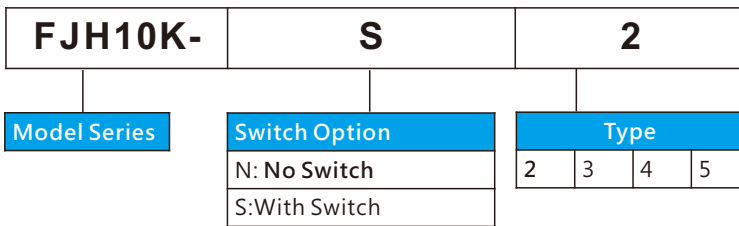
Mechanical Characteristics

Figure of Lever Operation	Circular Operating
Stopper Strength	3.0Kgf.cm Min 3Sec.
Operating Angle of Lever	26° MAX
Push-Pull Strength	Push:9.8Kgf Min,3sec Pull:5Kgf Min,3sec
Operating Force	120±50gf
Accuracy of Rest Position	±3°

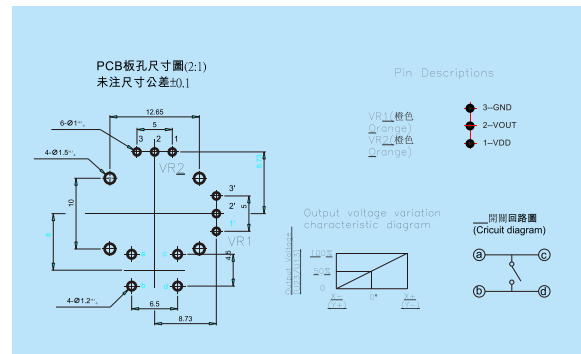
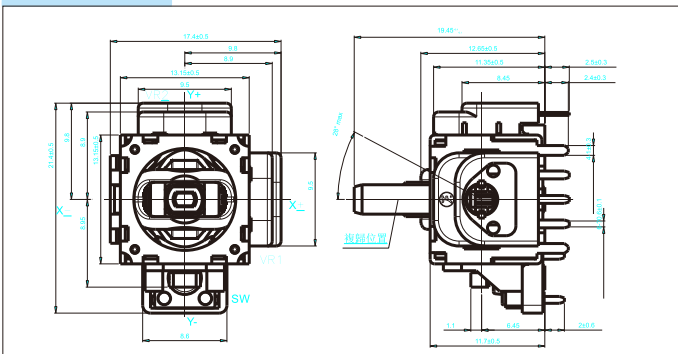
Switch Characteristics

Ratings	12V DC, 50mA
Operating Force	7±2N
Travel	0.55+0.5/-0.4mm
Operating Life	1,000,000 cycles

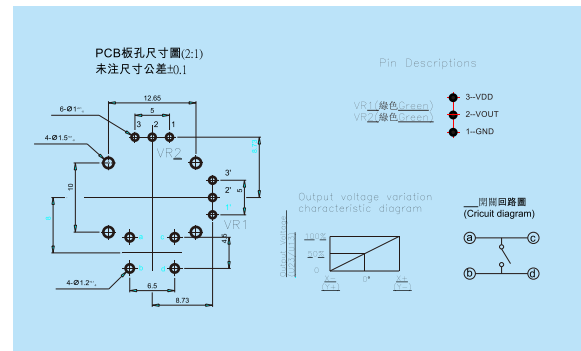
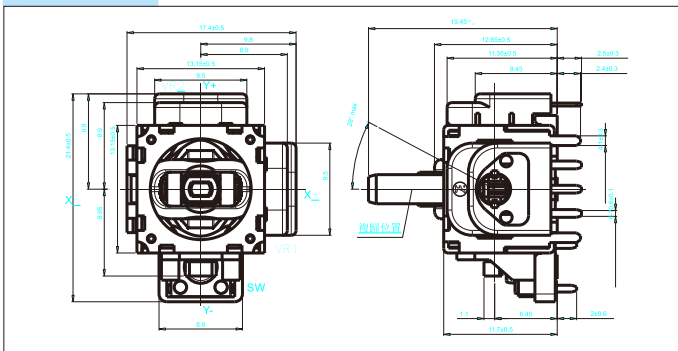
HOW TO ORDER



FJH10K-S2



FJH10-S3



FJH10k Series Joystick Potentiometer



Rotary Potentiometer

Joystick

Slide Potentiometer

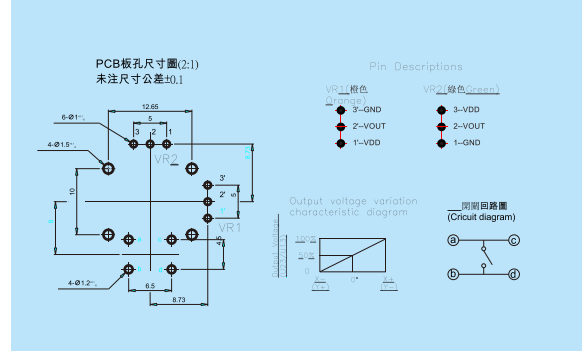
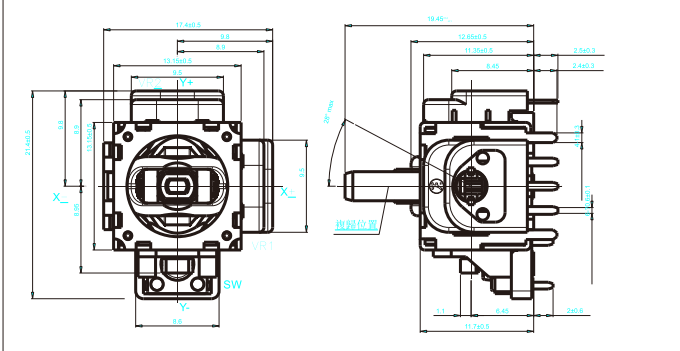
Trimmer Potentiometer

Encoder

Switch

Sensor

FJH10K-S4



FJH10-S5

