

Feature

1. High accuracy and long life over 1 million cycles.
2. Stable output characteristics can be secured for external noise and temperature changes.

FSE07 Series Position Sensor

Electrical characteristics

- Total Resistance.....500 Ω ~ 1M Ω
- Total Resistance Tolerance.....±20%
- Resistance Taper.....B taper
- Rated Voltage.....DC 5V, AC 50V
- Rated Power.....0.01W
- Linearity Tolerance.....Less than ±2%
- Sliding Noise.....Less than 300mV
- Insulated Resistance..... More than 100MΩ at DC 250V for 1 Minute
- Withstand Voltage.....250V AC, for 1 Minute

Mechanical characteristics

- Total Rotational Angle.....360° Continuous
- Rotational Torque.....Less than 50 gf .cm
- Pull Strength of Rotational Shaft.....500gf Min

Environmental characteristics

- Storage Temperature.....-40°C to +70°C
- Operating Temperature.....-10°C to +70°C
- Dry Heat.....70±2°C, 240±2h, ΔTR+5%/-30%
- Cold.....-30±2°C, 300±5h, Without load, ΔTR±20%
- Damp Heat.....70±2°C, 85%RH, 300±5h, ΔTR+35/-5%
- Temperature Cycles.....-10°C~+70°C, 5 cycles, ΔTR±10%
- Rotational Life.....Standard life: 500,000 Cycles Min.
Long life: 1,000,000 Cycles Min.
- Temperature Characteristic.....70±3°C, 5H, ΔTR+5%/-20%
- Soldering Condition.....Wave soldering: 260±5°C Sec Max.
Manual Soldering: 350°C±10°C 3 Sec Max.
- Operating Temperature Range.....-10°C ~ +70°C

HOW TO ORDER

FSE07-	01	H	1	B	5K	R0	1
--------	----	---	---	---	----	----	---

Model Series

Code	Product Type
01	Standard

Code	Terminal Configuration
V	Side Adjust, PC Pins
H	Top Adjust, PC Pins

Terminal Length	
Code	Top Adjust
1	2.1 mm
2	6.4mm
3	9.5mm
Code	Side Adjust
1	11.8 mm

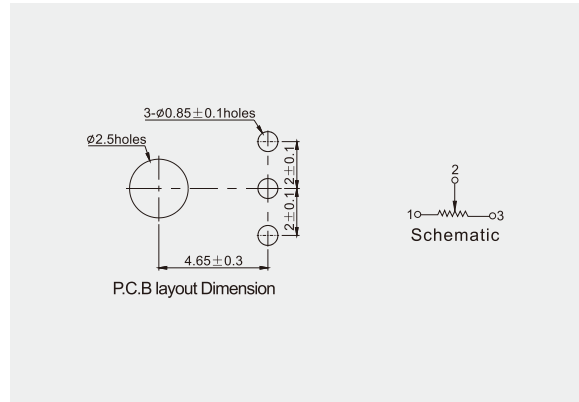
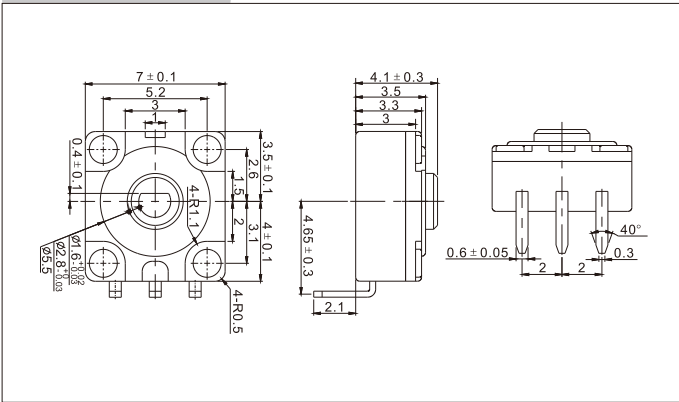
Code	Resistance Taper
B	Linear (0B)

Total Resistance
1K
2K
5K
10K
20K
50K
100K
200K
500K
1MEG

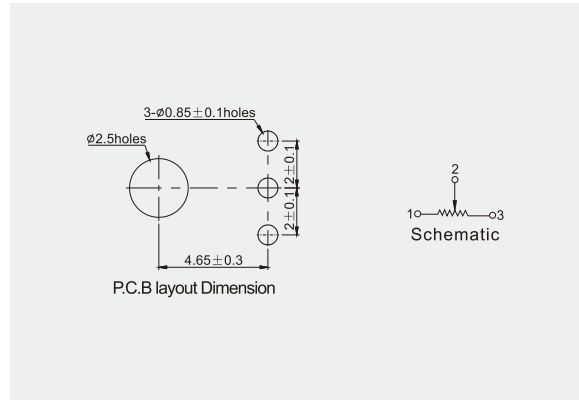
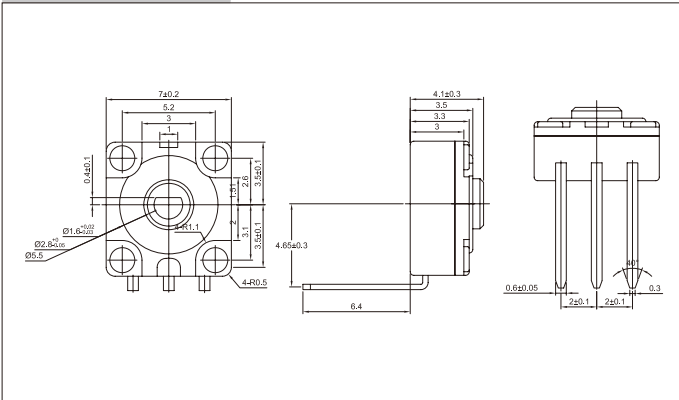
Code	Electrical Angle Code
P0	180°
R0	200°
Z0	280°
f0	310°

Code	Operation Life
(Blank)	Std. Life w/o anti-sulfur
1	Std. Life w/ anti-sulfur
6	Long Life w/ anti-sulfur
7	Long Life w/o anti-sulfur

FSE07-01H1 Top Adjust, Terminal Length 2.1mm



FSE07-01H2 Top Adjust, Terminal Length 6.4mm



FSE07-01H3 Top Adjust, Terminal Length 9.5mm

