



## Feature

1. Dust proof construction protects the interior from dust, which maintains stable characteristics.
2. FR-4 element materials compliant to flow high peak temperature lead free soldering.
3. Long life, over 200,000 Cycles .

## FSE 28 Series Position Sensor

### Electrical characteristics

• Resistance Range.....	1K~100K
• Total Resistance Tolerance.....	±20%
• Taper Style.....	B taper
• Power Rated .....	0.1W
• Linearity .....	±2%
• Contact Noise .....	Within 10%TR
• Rated Voltage .....	DC5V±0.5V

### Mechanical characteristics

• Electrical Angle.....	250°±3
• Rotational Torque.....	0~50gf.cm
• Push Pull Strength of Shaft.....	1.0kgf for 10 seconds min
• Total Rotational Angle .....	360°(Endless)

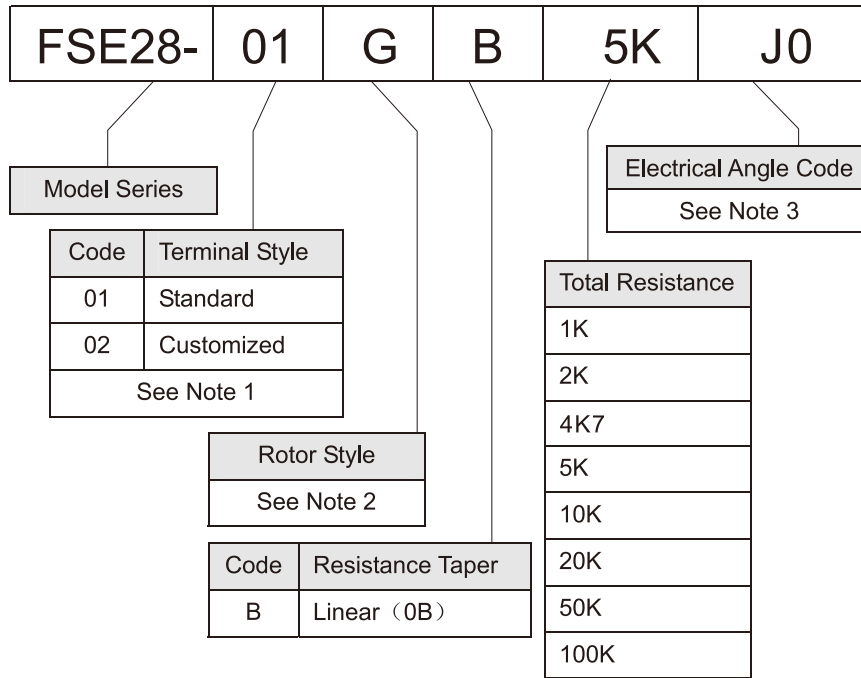
### Typical Applications

- HVAC sensor
- Rotary Angle Sensor

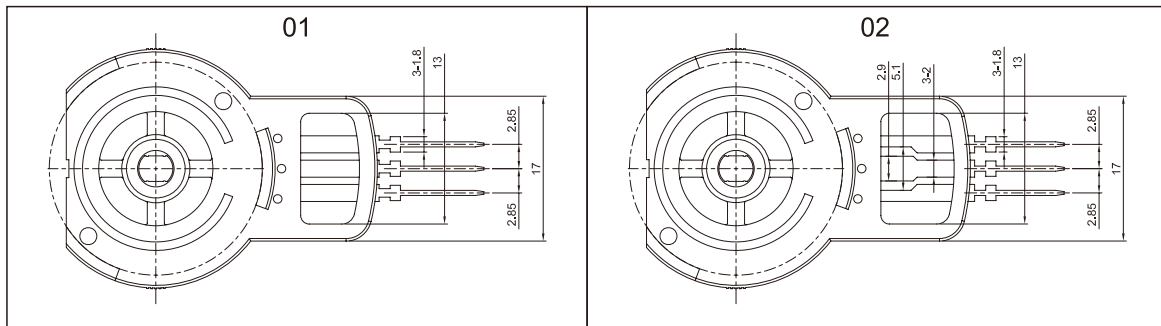
### Environmental characteristics

• Storage Temperature.....	-40°C to +85°C
• Operating Temperature.....	-40°C to +85°C
• Life Cycles.....	200,000 Cycles Min
• Dry Heat.....	+85±3°C, 168±4H △TR: ±40%, Linearity: ±3%
• Cold.....	-40±3°C, 168±4H △TR: ±40%, Linearity: ±3%
• Humidity.....	60±2°C, 90~95RH, 100±4H △TR: ±40%, Linearity: ±3%
• Temperature Cycles.....	-40°C~+85°C, 5cycles △TR: ±40%, Linearity: ±3%

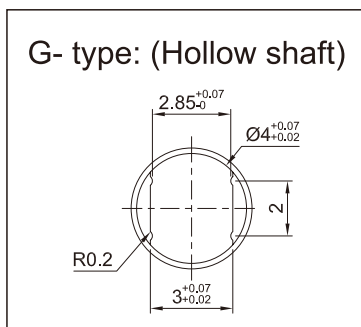
### HOW TO ORDER



#### Note 1: Terminal Style



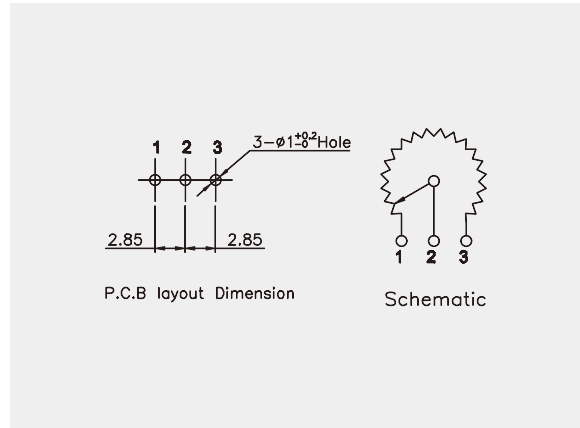
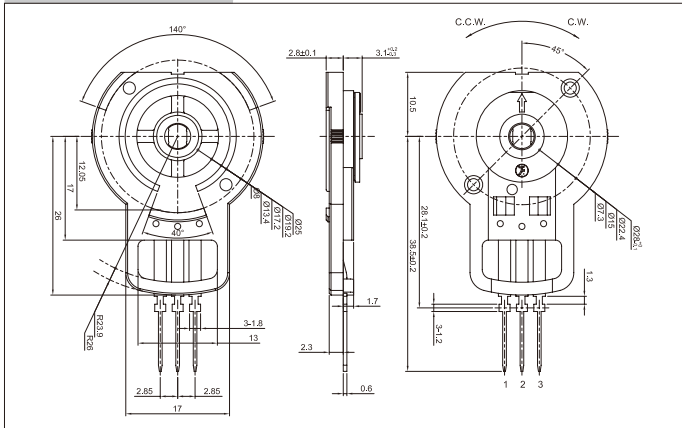
#### Note 2: Rotor style



#### Note 3: Electrical angle code

Code	J0	M8	N0	O0	P0	U5	W0
Angle	120°	158°	160°	170°	180°	235°	250°

**FSE28-01G** Standard Type with G Type Rotor



**FSE28-02G** Standard Type with G Type Rotor

