



## HOW TO ORDER

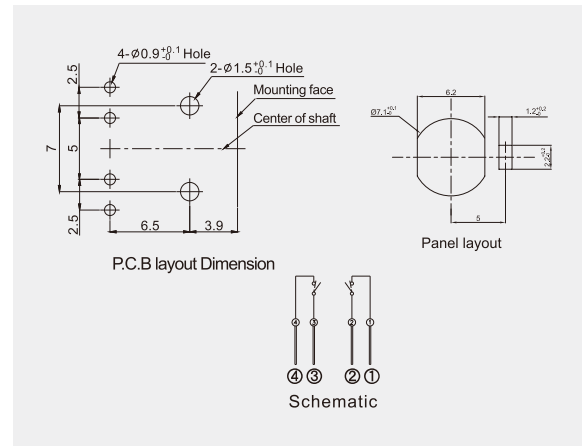
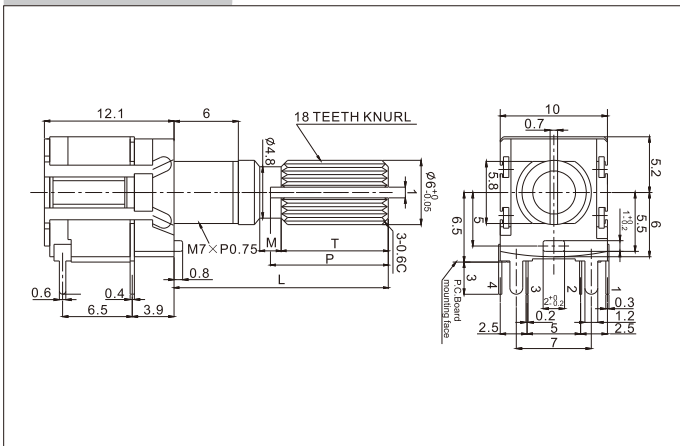
**FSR1002- 20 Q 1**

Model Series

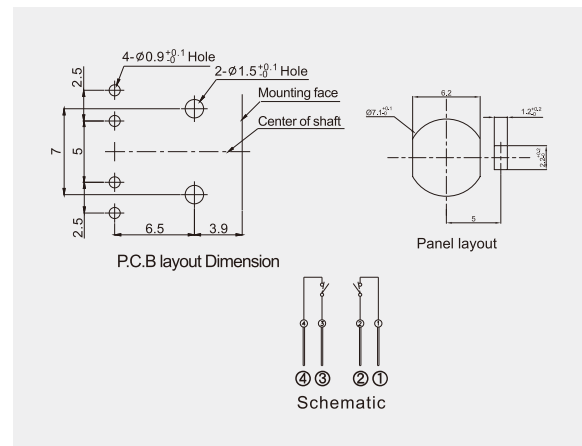
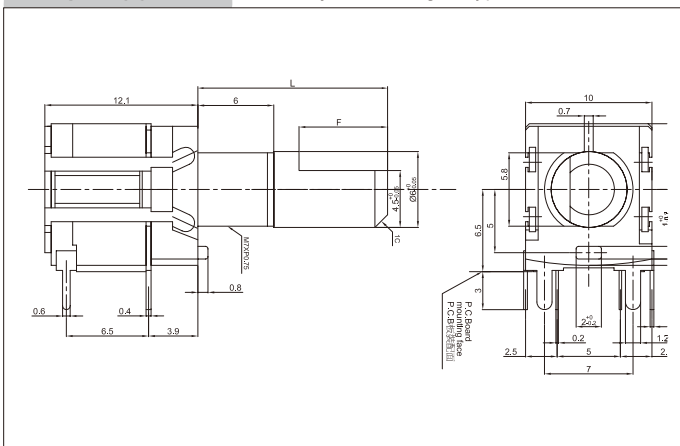
Shaft Type & Length  
See Note 1

Code	Detent Number
20	20 Detents

**FSR1002-Q** Side Adjust, 1 Gang, Q-type shaft



**FSR1002-F** Side Adjust, 1 Gang, F-type shaft



Switch