

## Feature

1. Insulated shaft style
2. Carbon element
3. Wide range of resistance tapers

## F-166k Insulated Shaft Rotary Potentiometer

### Electrical characteristics

- Total Resistance.....Single Unit: 500Ω~1 MΩ,Dual Unit: 2kΩ~ 500kΩ
- Total Resistance Tolerance..... ± 20%
- Resistance Taper.....A,B,C,D
- Rated Voltage.....Linear Taper B:AC 200V Other Tapers : AC 150V  
Dual Unit: AC 50V, DC 20V
- Rated Power.....Linear Taper B: 0.125W,Other Tapers :0.06W  
Dual Unit; 0.06W
- Sliding Noise.....Less than 100mv
- Insulation Resistance.....More than 100MΩ at DC 250V
- Withstand voltage.....1 minute at AC 250V
- Residual Resistance..... Term. 1~2:Less than 20 Ω  
Term. 2~3:Less than 20 Ω
- Gang Error(Dual Unit).....-40dB~0dB ± 3dB

### Mechanical characteristics

- Total Rotational Angle.....300° ± 5°
- Rotational Torque.....10gf.cm~100gf.cm
- Click Torque.....50gf.cm~250gf.cm
- Rotational Stopper Strength.....6.0kgf.cm Min.
- Push-Pull Strength.....8.0kgf Min

### Durability

- Rotational Life.....10,000 Cycles

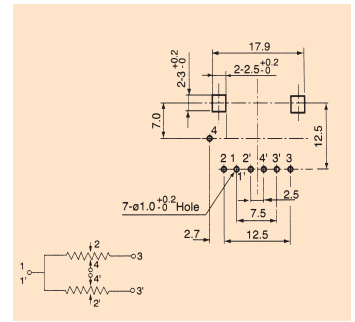
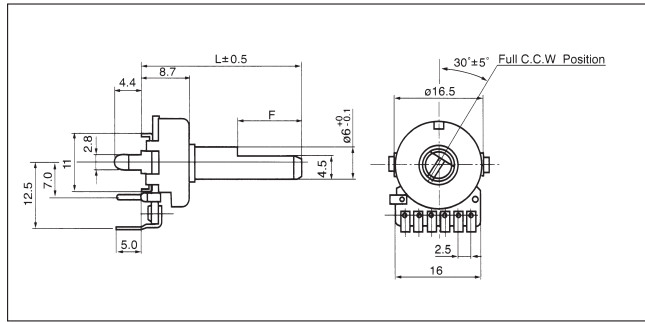


# F-166K Series

## Snap-In Insulated Shaft Rotary Potentiometer

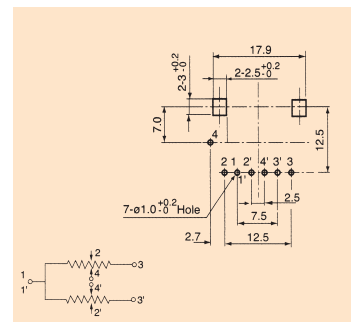
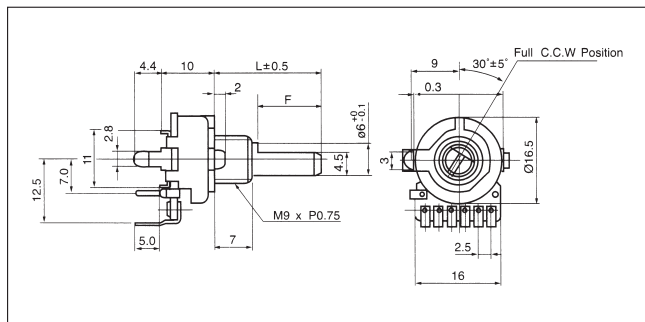
### F-166KP

Horizontal Type, Dual Unit,  
P.C.B. Terminal with Tap  
With Center Click



### F-166KP-1

Horizontal Type, Dual Unit,  
P.C.B. Terminal with Tap  
With Center Click



# Part number system of insulated shaft potentiometer

